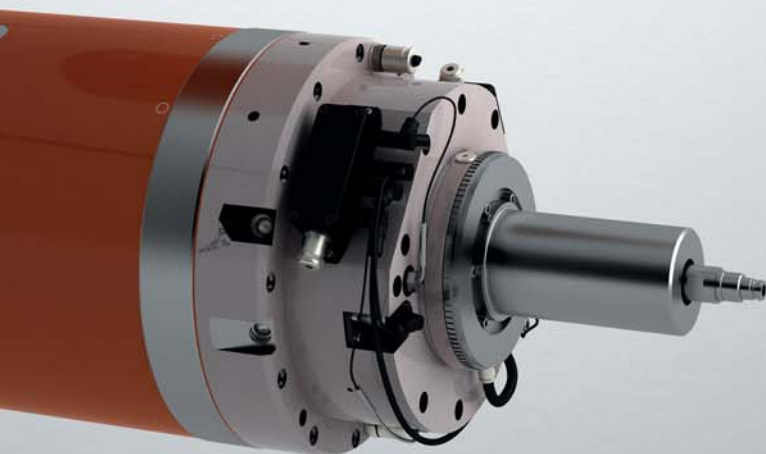
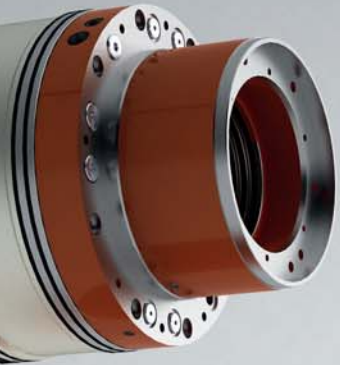


# RAM *SIZE 350*



Speed	<b>N1B</b>	<b>[rpm]</b>
Power	<b>P</b>	<b>[kW]</b>
Torque	<b>T2N</b>	<b>[Nm]</b>

Speed	<b>N1B</b>	<b>[rpm]</b>
Power	<b>P</b>	<b>[kW]</b>
Torque	<b>T2N</b>	<b>[Nm]</b>

Control

Interface

Cooling/Flow rate **[l/mn]**

Cooling/Loss power **[kW]**

Bearings lubrication

Lubrication/Flow rate **[l/mn]**

Lubrication/Loss power **[kW]**

Speed shifting/Pressure **[bar]**

Speed shifting/Flow rate **[l/mn]**

RAM design for external forced lubrication

Gearbox only

Gearbox + Cooling Jacket

Gearbox + Cooling Jacket  
+ output shaft arrangement

## S1 - 100%

Gear 1:1		Gear 5:1	
550	6000	110	1200
83.1	83.1	80.6	80.6
1443	132	7000	642



## S6 - 40%

Gear 1:1		Gear 5:1	
550	6000	110	1200
133	133	129	129
2309	212	11200	1027

## Technical Features

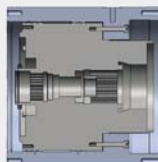
Siemens/Fanuc/Heidenhain
Internal splines
40
2.49
Grease
3.5
1.07
50 to 100
8 to 10

## Interface

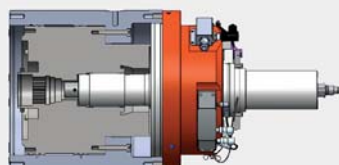
HIT



FOT



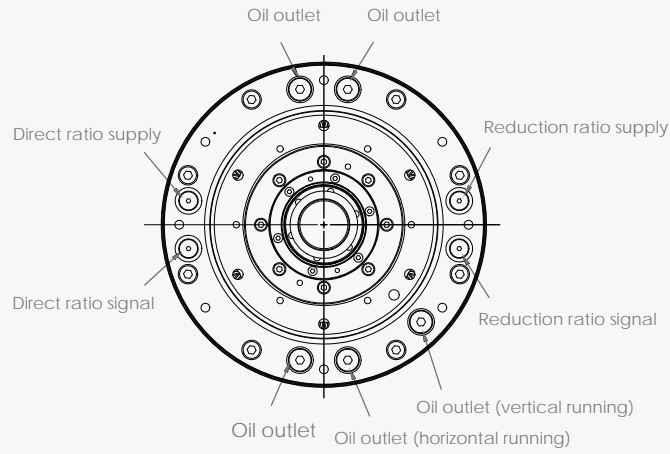
FOA/FOB



## DIMENSIONS

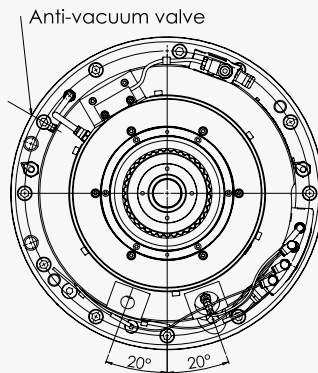
HIT

### A View



FOB

### B View

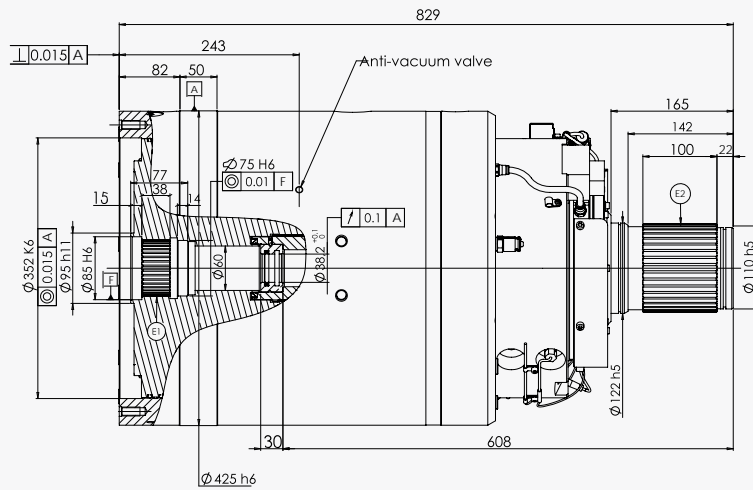
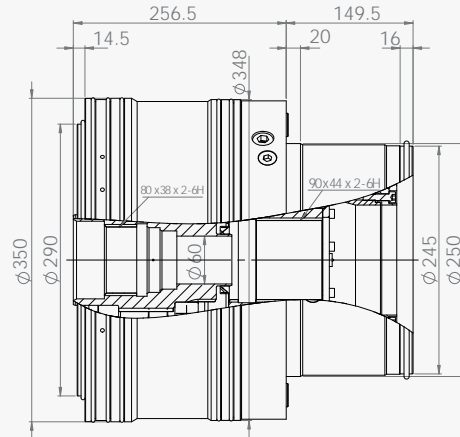


# DIMENSIONS

GM 7000



RAM 350



# ANDANTEX USA Inc.

1705 Valley Road,  
Wanamassa, NJ 07712  
800-713-6170  
Fax 732-493-2949  
E-mail [info@andantex.com](mailto:info@andantex.com)  
**[WWW.ANDANTEX.COM](http://WWW.ANDANTEX.COM)**