

KRPX *SIZE 1*

KRPX1

Weight

Efficiency

Backlash

Color

Tooth type

Module

Helix angle (left)

Number of teeth

Pressure angle

Theoretical pitch diameter

Addendum modification factor

Pinion quality grade

Surface hardness

Ratio

Nominal feed force

Peak acceleration feed force

Max. acceleration feed force

E-stop force

Max. linear speed

Nominal linear speed

Linear stiffness on the rack

Inertia

Ratio

Nominal output torque

Max. output torque

No load torque

No load torque

E-stop torque

Max. input speed

Nominal input speed

Radial stiffness

Axial stiffness

Torsional stiffness

CUBIConcept



General data

			M	R
m	kg	1 Stage	28	30
		2 Stages	30	32
η	%	1 Stage	96	94
		2 Stages	93	91
J	arcmin	Standard	3	4
		Reduced	1	2
RAL2012				

Pinion features

		Helical	Straight
Mo	mm	3	3
β	deg	19°31'42"	0°
Z2	-	18	19
α	deg	20	20
D02	mm	57,3	57
x0	-	0,118	0,167
Q	(ISO 1328)	6	6
HRC	HRC	61-63	61-63

Rack features

Version			Helical	Straight
Standard	F2B	N	15939	13967
	F2NOT	N	31878	23940
	Material		C45E DIN 1.1191	
Reinforced	F2B	N	19562	N/A
	F2NOT	N	42525	N/A
	Material		16MnCr5	
Available length	L	mm	500, 1000, 2000	
Dimensions			see details p113-115	

Drive linear features

		5	7	10	17	21	31	46	61	91
F2N	N	12914	13264	9424	13613	10646	15009	9424	13089	9424
F2B	N	22618	23211	16510	23839	18639	26283	16510	22897	16510
F2B_max	N	45236	46422	33019	47679	37277	52565	33019	45794	33019
F2NOT	N	29075	29075	29075	29075	29075	29075	29075	29075	29075
V2B	m/min	180	129	90	64	51	35	23	18	12
V2N	m/min	58	41	29	28	22	15	10	8	5
K2T +M	N/μm	224	208	195	190	190	178	170	173	185
K2T +R	N/μm	191	174	158		169	176	169	173	185
I +M	kg.mm ²	883	746	674	287	269	259	254	246	245
I +R	kg.mm ²	2240	2304	2231		458	448	443	435	433

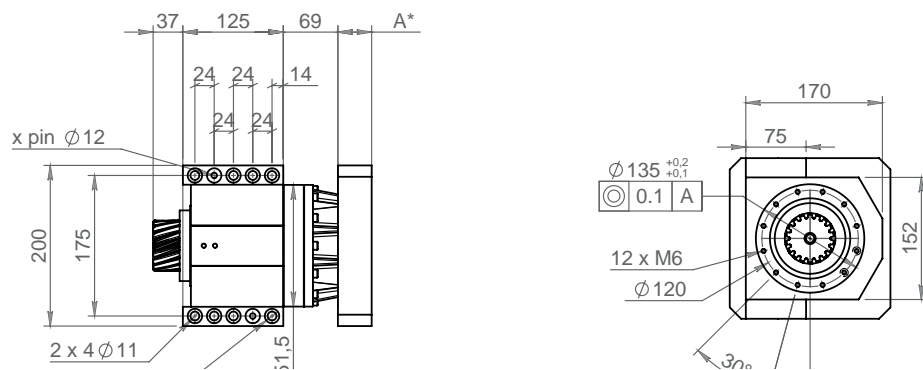
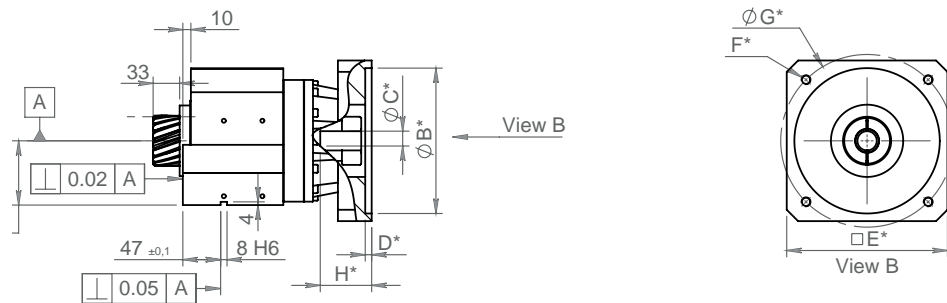
KRPX ratings

		5	7	10	17	21	31	46	61	91
T2N	Nm	370	380	270	390	305	430	270	375	270
T2B	Nm	648	665	473	683	534	753	473	656	473
T01 +R	Nm	5	5	5		1,5	1,5	1,5	1,5	1,5
T01 +M	Nm	4,5	4,5	4,5	1	1	1	1	1	1
T2NOT	Nm	833	833	833	833	833	833	833	833	833
n1B	rpm	5000	5000	5000	6000	6000	6000	6000	6000	6000
n1N	rpm	1600	1600	1600	2600	2600	2600	2600	2600	2600
K2R	N/μm	480	480	480	480	480	480	480	480	480
K2A	N/μm	1710	1710	1710	1710	1710	1710	1710	1710	1710
C2t +R	Nm/ rad	295646	250956	213140		237205	254393	237205	247518	278457
	Nm/arcmin	86	73	62		69	74	69	72	81
C2t +M	Nm/ rad	412530	350650	309397	292208	292208	261269	240642	247518	278457
	Nm/arcmin	120	102	90	85	85	76	70	72	81

Dimensions and main data for information only - Please consult us and / or refer to Products Datasheets
 For accurate selection, contact your local supplier

KRPX SIZE 1

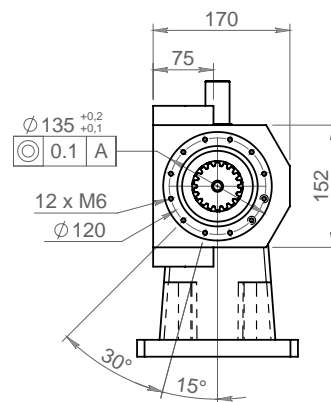
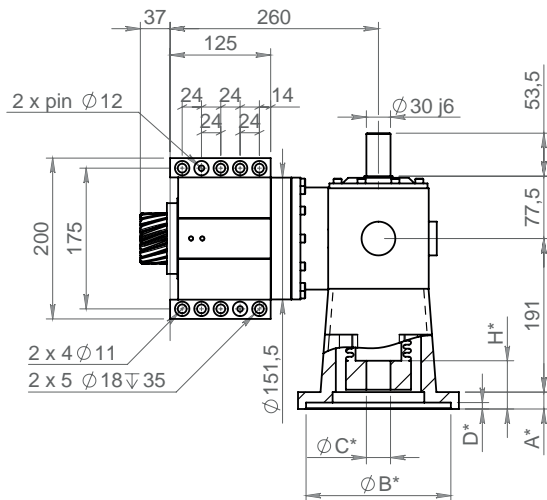
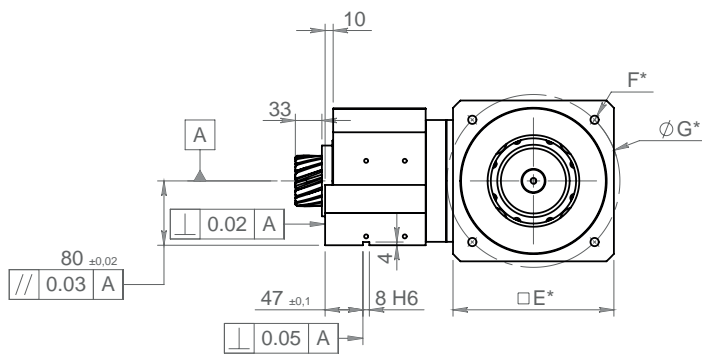
DIMENSIONS - TYPE M 1 stage



	IFB 140 14/24	IFB 140 28/38	IFB 200 28/38	IFB 260 28/38
A	37	42	57	64
E	140	140	200	260
H	59	65	80	87

*B C D F G According to motor dimensions
Tapping depth = 1.5x0 thread

DIMENSIONS - TYPE R 1 stage



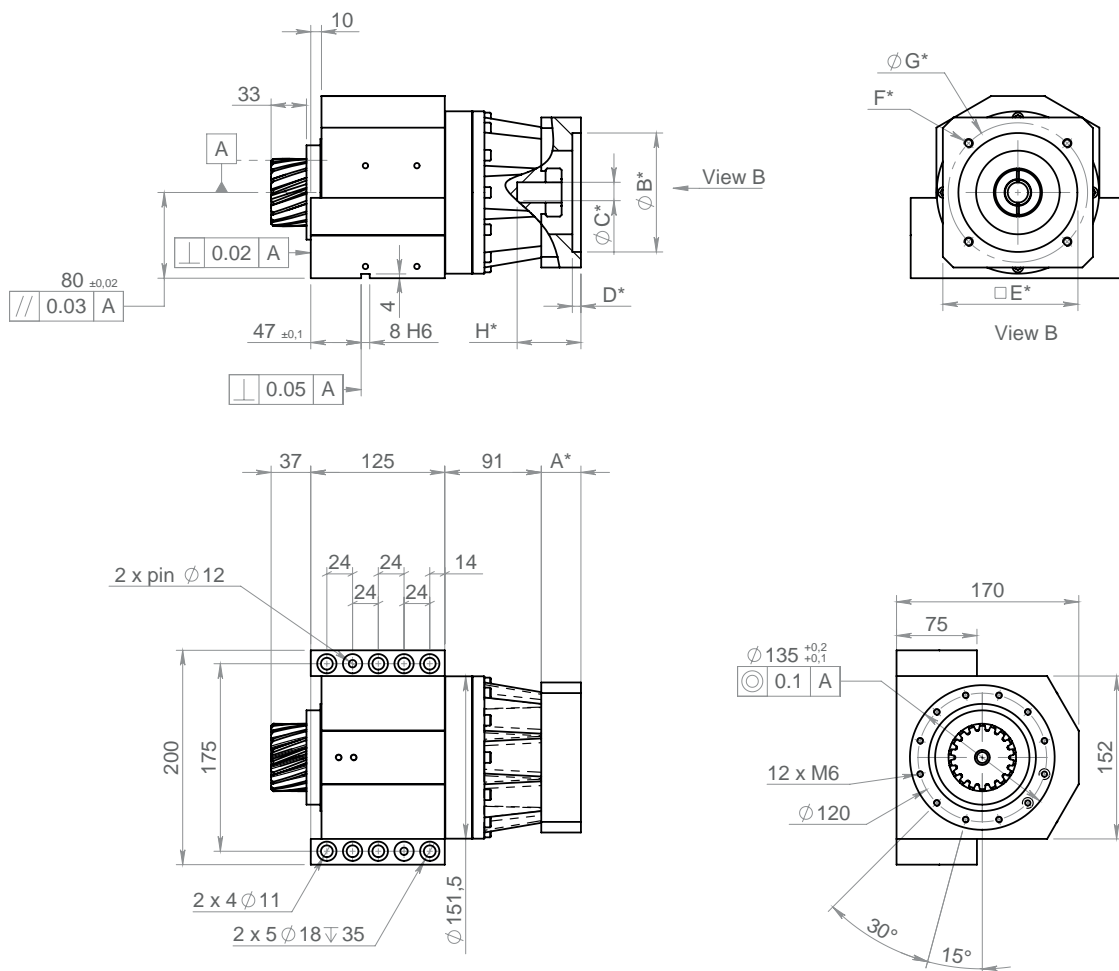
	MF3 140	MF3 200	MF3 260
A	21	21	24
E	140	200	260
H	80	80	83

*B C D F G According to motor dimensions
Tapping depth = 1.5x0 thread

Dimensions and main data for information only - Please consult us and / or refer to Products Datasheets
For accurate selection, contact your local supplier

KRPX SIZE 1

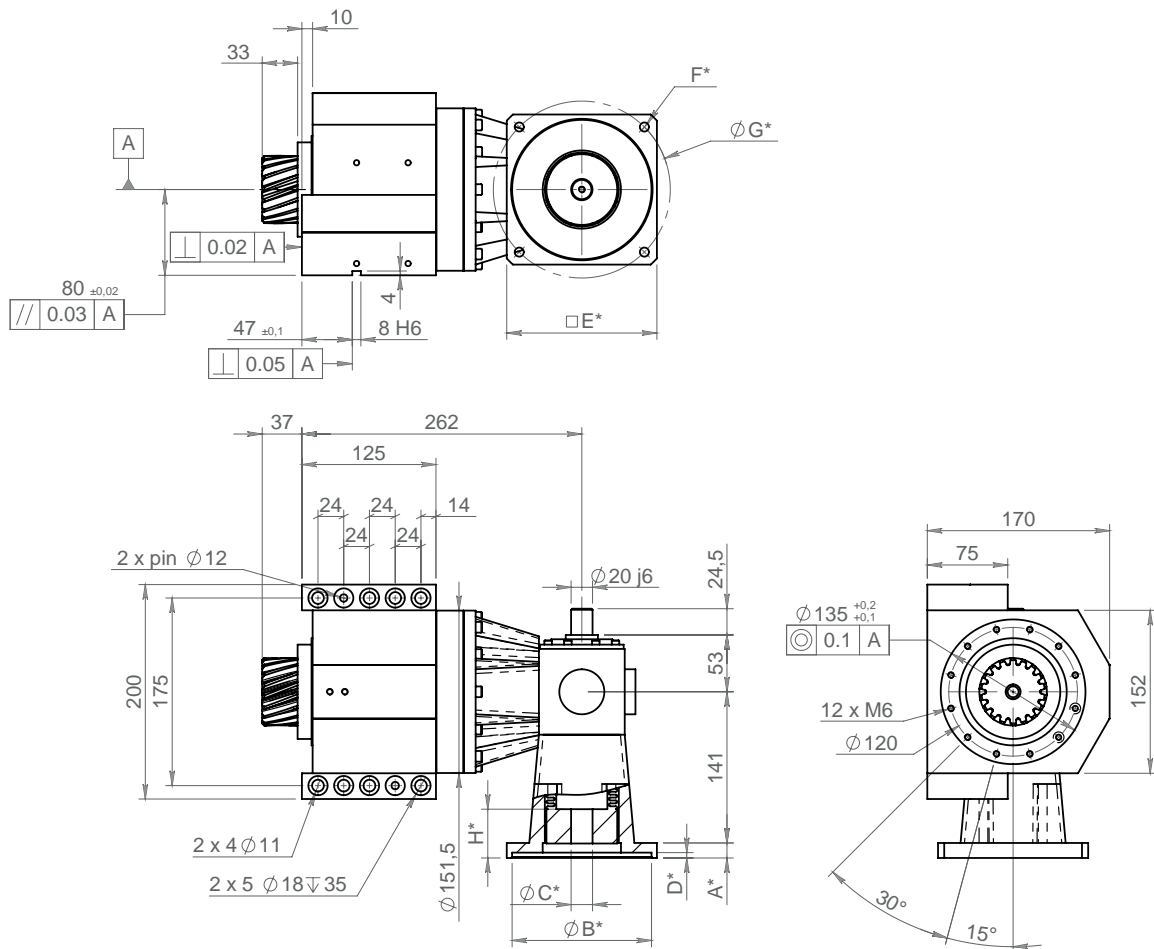
DIMENSIONS - TYPE M 2 stages



	IFA 100 11/19	IFA 140 11/19	IFA 140 22/32	IFA200 22/32
A	27	27	37	42
E	100	140	140	200
H	49	49	59	64

*B C D F G According to motor dimensions
Tapping depth = 1.5x0 thread

DIMENSIONS - TYPE R 2 stages



	MF1 100	MF1 140	MF1 200
A	14	14	18
E	100	140	200
H	62	62	66

*B C D F G According to motor dimensions
Tapping depth = 1.5x0 thread

Dimensions and main data for information only - Please consult us and / or refer to Products Datasheets
For accurate selection, contact your local supplier