

DRP *SIZE 5*



DRP5

Weight

Efficiency

Backlash

Color

Tooth type

Module

Helix angle (left)

Number of teeth

Pressure angle

Theoretical pitch diameter

Addendum modification factor

Pinion quality grade

Surface hardness

Ratio

Nominal feed force

Peak acceleration feed force

Max. acceleration feed force

E-stop force

Max. linear speed

Nominal linear speed

Linear stiffness on the rack

Inertia

Ratio

Nominal output torque

Max. output torque

No load torque

No load torque

E-stop torque

Max. input speed

Nominal input speed

Radial stiffness

Axial stiffness

Torsional stiffness

General data

			M	R
m	kg	1 Stage		
		2 Stages	1091	1116
η	%	1 Stage		
		2 Stages	93	91
J	arcmin	Standard	3	4
		Reduced	1	2
RAL2012				

Pinion features

		Helical	Straight
Mo	mm	8	8
β	deg	19°31'42"	0
Z2	-	15	16
α	deg	20°	20°
D02	mm	127,32	128
x0	-	0,355	0,313
Q	(ISO 1328)	6	6
HRC	HRC	61-63	61-63

Rack features

Version			Helical	Straight
Standard	F2B	N	114380	91220
	F2NOT	N	174205	148960
	Material		C45E DIN 1.1191	
Reinforced	F2B	N	N/A	N/A
	F2NOT	N	N/A	N/A
	Material		16MnCr5	
Available length	L	mm	500, 1000, 2000	
Dimensions	see details p113-115			

Drive linear features

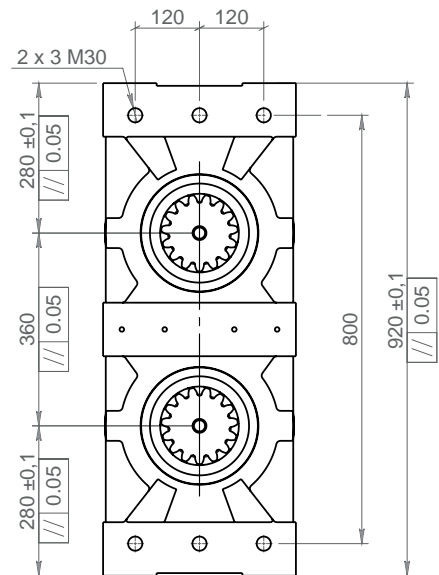
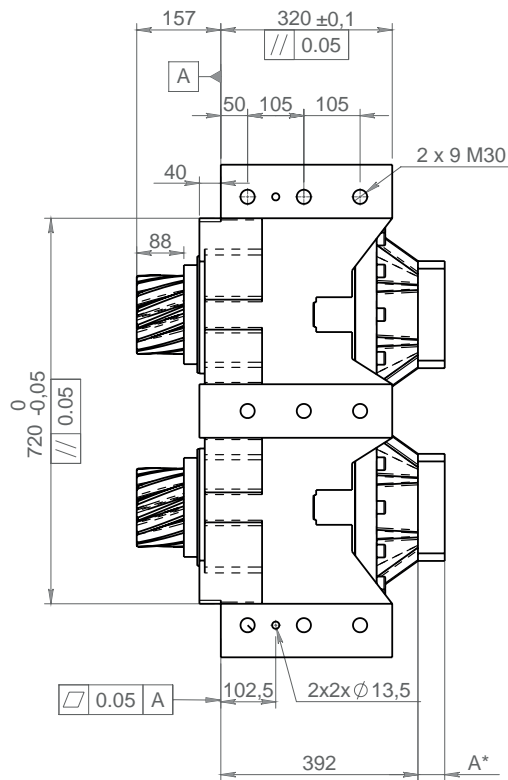
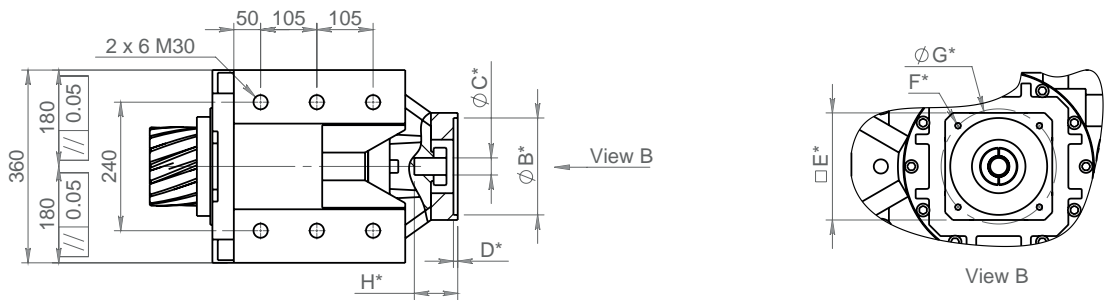
		5	7	10	17	21	31	46	61	91
F2N	N					73830	105247	86396	86396	86396
F2B	N					118128	157870	138234	138234	138234
F2B_max	N					236255	315740	276469	276469	276469
F2NOT	N					180647	180647	180647	180647	180647
V2B	m/min					76	52	35	26	18
V2N	m/min					19	13	9	7	4
K2T +M	N/μm					623	623	545	598	500
K2T +R	N/μm					623	622	545	595	483
I +M	kg.mm ²					2916	2204	1851	1228	1133
I +R	kg.mm ²					17436	16724	16371	15760	15666

DRP ratings

		5	7	10	17	21	31	46	61	91
T2N	Nm					4700	6700	5500	5500	5500
T2B	Nm					7520	10050	8800	8800	8800
T01 +R	Nm					5,2	5,2	5,2	5,2	5,2
T01 +M	Nm					4	4	4	4	4
T2NOT	Nm					11500	11500	11500	11500	11500
n1B	rpm					4000	4000	4000	4000	4000
n1N	rpm					1000	1000	1000	1000	1000
K2R	N/μm					1550	1550	1550	1550	1550
K2A	N/μm					5484	5484	5484	5484	5484
C2t +R	Nm/ rad					4812845	4802532	3781521	4427818	3107723
	Nm/arcmin					1400	1397	1100	1288	904
C2t +M	Nm/ rad					4812845	4812845	3781521	4469071	3279610
	Nm/arcmin					1400	1400	1100	1300	954

Dimensions and main data for information only - Please consult us and / or refer to Products Datasheets
 For accurate selection, contact your local supplier

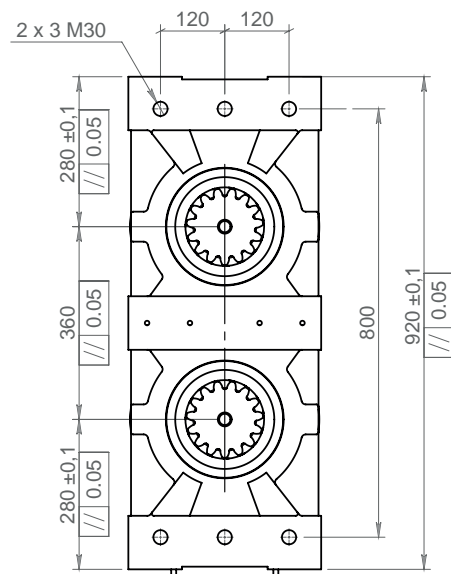
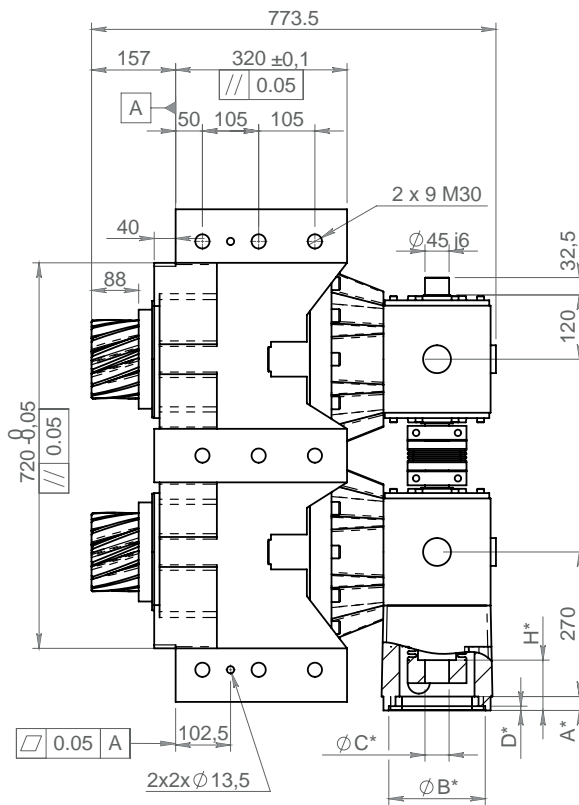
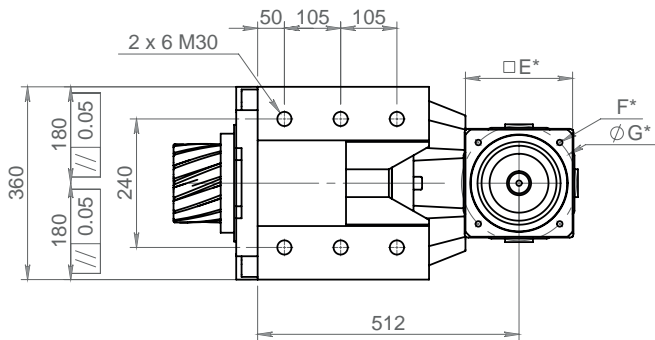
DIMENSIONS - TYPE M



	IFC 140 22/32	IFC 200 22/48	IFC 260 35/48
A	42	50	51
E	140	200	260
H	73	81	82

*B C D F G According to motor dimensions
Tapping depth = 1.5x0 thread

DIMENSIONS - TYPE R



	MF5 200	MF5 260
A	26	26
E	200	260
H	110	110

*B C D F G According to motor dimensions
Tapping depth = 1.5x0 thread

Dimensions and main data for information only - Please consult us and / or refer to Products Datasheets
For accurate selection, contact your local supplier