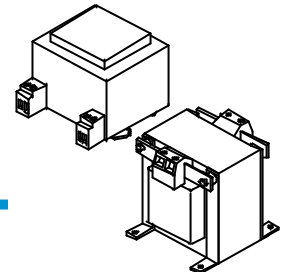


Transformer 40 VA

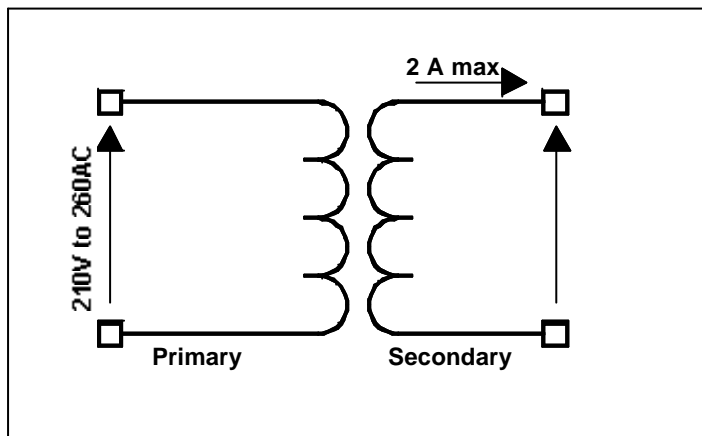
Ref: 323 150 02
Ref: 323 150 12

Features :

Type	Standard	DIN Rail fixing
Reference	323 150 02	323 150 12
Nominal Input voltage [V]	220/	240 V
AC Maximum Input voltage[V]		260 V AC
Nominal output voltage [V]		24
Max output current [A]		1



Schematic diagram :

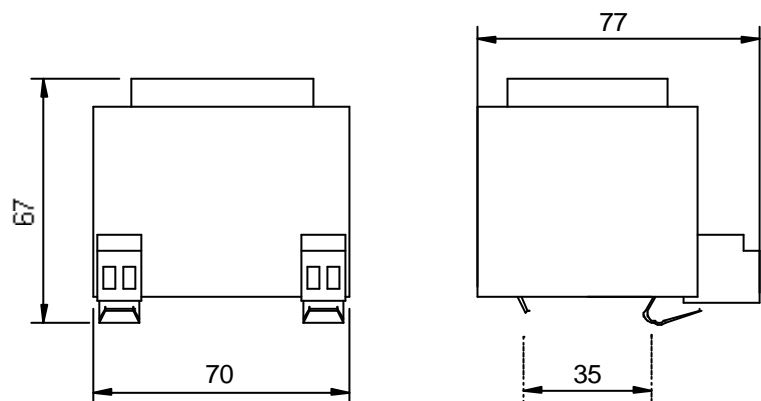


Offers :

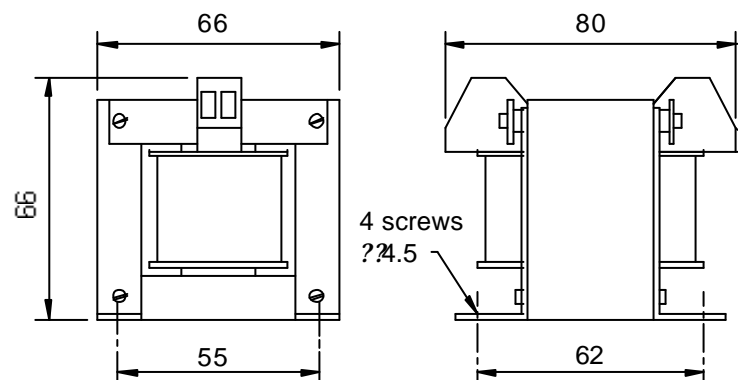
- CE requirement compatibility
- Compact design
- DIN rail mounting (réf: 323 150 12)
- Low cost

Dimensions :

DIN Rail fixing

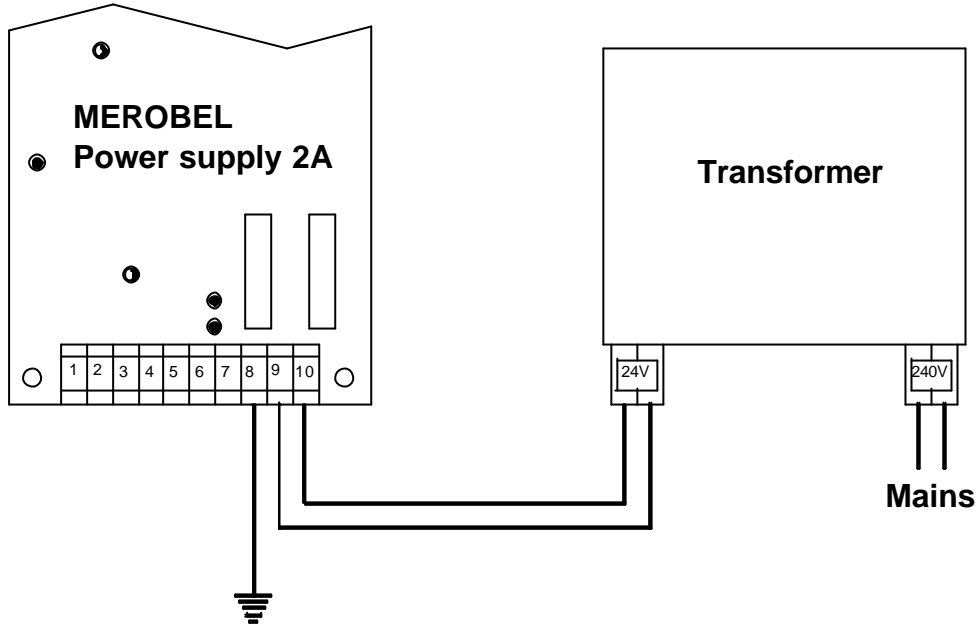


Standard



FTCGB323150021289

Wiring with the Merobel 2A Power supply :



Mounting recomandations :

