

Specifications :

Transmission torque	N.m	Min	1
		Max	6
	ft.lb	Min	0.76
		Max	4.5
Internal rotor inertia		23.10 ⁻⁵ kg.m ²	53.10 ⁻⁴ lb.ft ²
External rotor inertia		35.10 ⁻⁴ kg.m ²	81.10 ⁻³ lb.ft ²
Weight		2.9 kg	6.4 lb
Heat dissipation (W)*		65	

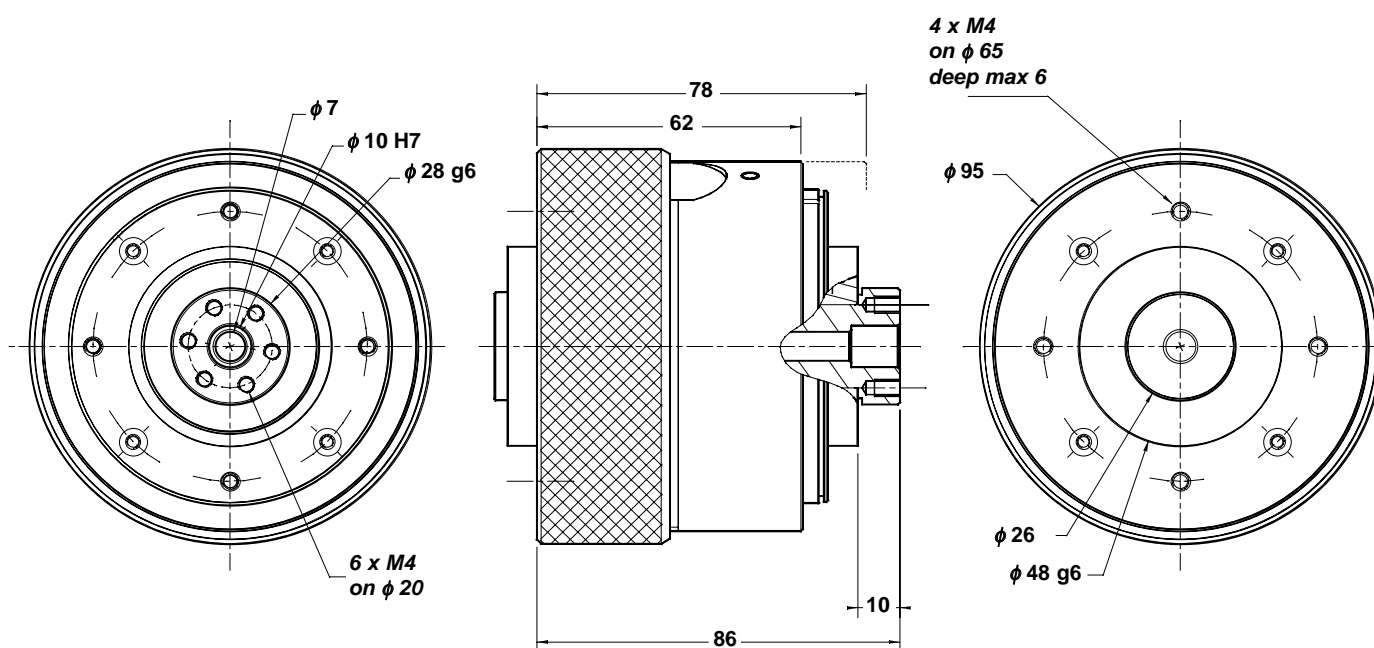
Torque Limiter

LC 40 CS

ref: ME126047-00



Dimensions :



Utilization :

- Mounting must be made without any stress
- Lubricated for life (other internal lubrication not allowed)
- This device is especially designed for vertical shaft orientation, but may be also used for horizontal shaft applications

FTCUS126047000302