

Brake

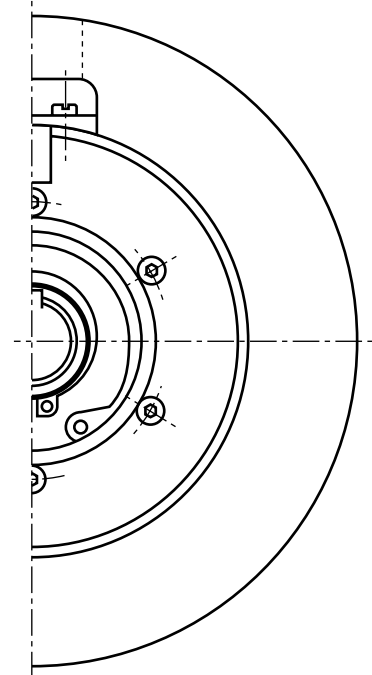
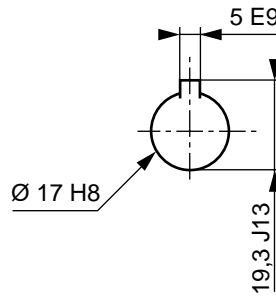
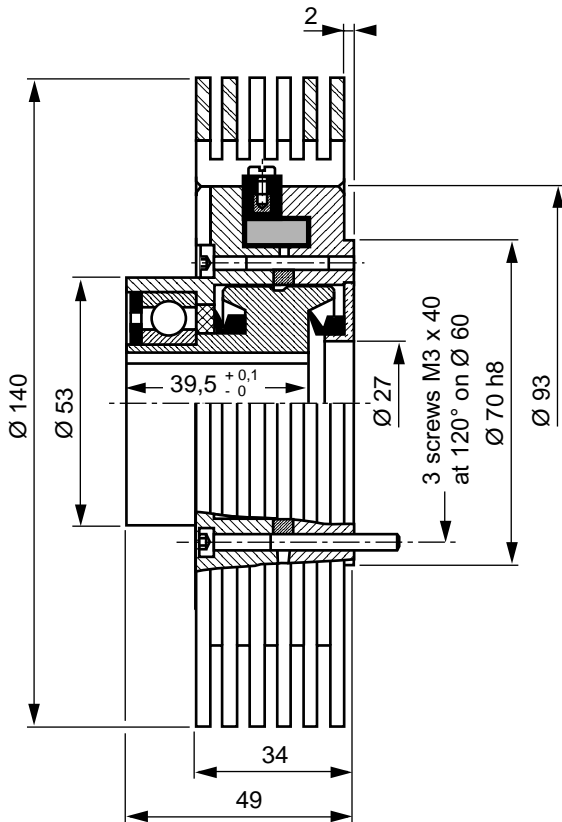
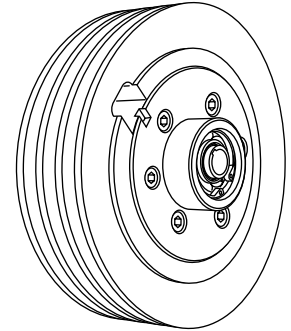
FRAT 50

ref: 313.925.00

Specifications

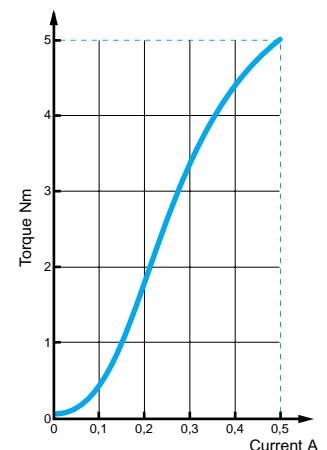
Nominal torque	5	N.m	ft.lbf	4
Minimal torque	0,1	N.m	ft.lbf	0.07
Coil resistance - 20°C			W	24
Rated current DC			A	0.50
Rotor inertia	99.10 ⁻⁶	kg.m ²	lb.ft²	23 10⁻⁴
Weight	2	kg	lb	4.41
Heat dissipation continuous sustained			W *	100

* Heat dissipation is the mechanical power ($P = c_w$) maximum allowable.



Utilization

- Mounting must be made without any stress.
Lubricated for life (other internal lubrication not allowed).
The shaft should be lubricated upon assembly, to prevent seizing.
- Low DC current power supply for coil.
(See MEROBEL Electronic data sheets).
- The standard device is designed for horizontal shaft orientation,
and a minimal speed of 60 RPM. Maximum speed is 3000 RPM.
(without exceeding the max. heat dissipation capability)
- For Engineering application, please contact our technical support
- In normal use, the outside temperature of the device can increase up to 100°C,
without damage.



Safety

- If the device is to be used in dusty, humid or corrosive environment, special protection needs to be considered.

Maintenance

- Two procedures are available:

- Full inhouse maintenance servicing:

MEROBEL Inc. after sales
1705 Valley Road
Wanamassa, NJ 07712

Ph 732 493 3232

Fax 732 493 2949

- Spare parts or repair kits (depending on maintenance level) :

- Kit (powder, ball bearings, seals, felts)

ref: 313.900.71

- Coil

ref: 313.920.05

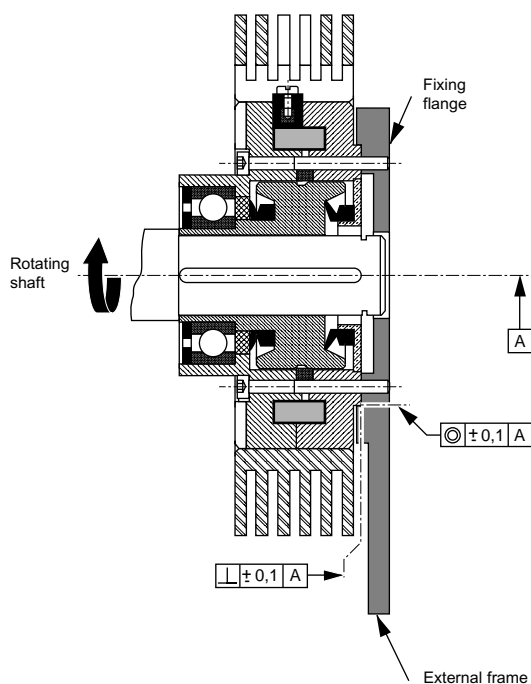
- Rotor

ref: 313.900.03

- In any case, our After Sales service is at your disposal.

Recommended mounting principles

In line mounting



Parallel mounting

