

# Brake

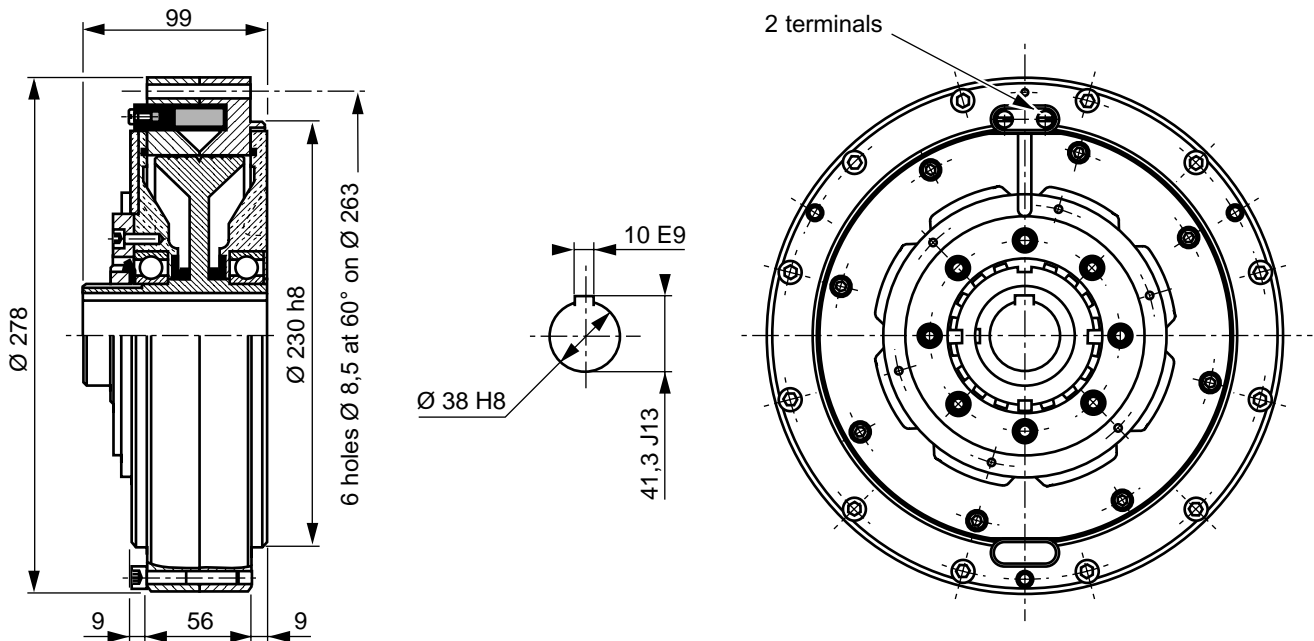
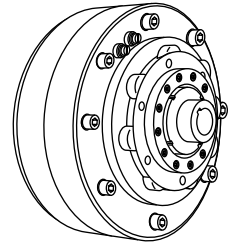
FAT 2002

ref : 330.200.00

## Specifications

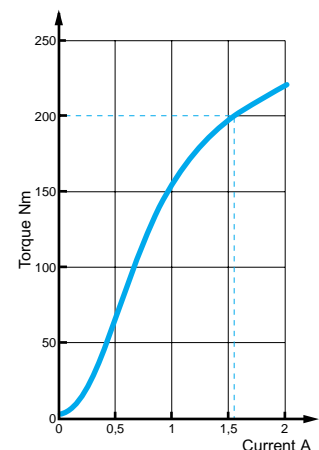
Nominal torque	200	N.m	<i>ft.lbf</i>	<b>150</b>
Minimal torque	2	N.m	<i>ft.lbf</i>	<b>1.5</b>
Coil resistance - 20°C			<i>W</i>	<b>12</b>
Rated current DC			<i>A</i>	<b>1.55</b>
Rotor inertia	35.2.10 <sup>-3</sup>	kg.m <sup>2</sup>	<i>lb.ft<sup>2</sup></i>	<b>818.10<sup>-3</sup></b>
Weight	24	kg	<i>lb</i>	<b>52.9</b>
Heat dissipation continuous sustained			<i>W *</i>	<b>400</b>

\* Heat dissipation is the mechanical power ( $P = c_w$ ) maximum allowable.



## Utilization

- Mounting must be made without any stress.  
Lubricated for life (other internal lubrication not allowed).  
The shaft should be lubricated upon assembly, to prevent seizing.
- Low DC current power supply for coil.  
(See MEROBEL Electronic data sheets )
- The standard device is designed for horizontal shaft orientation, and a minimal speed of 60 RPM. Maximum speed is 2000 RPM (without exceeding the max. heat dissipation capability).
- For Engineering application, please contact our technical support.
- In normal use, the outside temperature of the device can increase up to 100°C, without damage.



## Safety

- If the device is to be used in dusty, humid or corrosive environment, special protection needs to be considered.
- To protect the device from overheating, a thermal sensor can be added.

## Maintenance

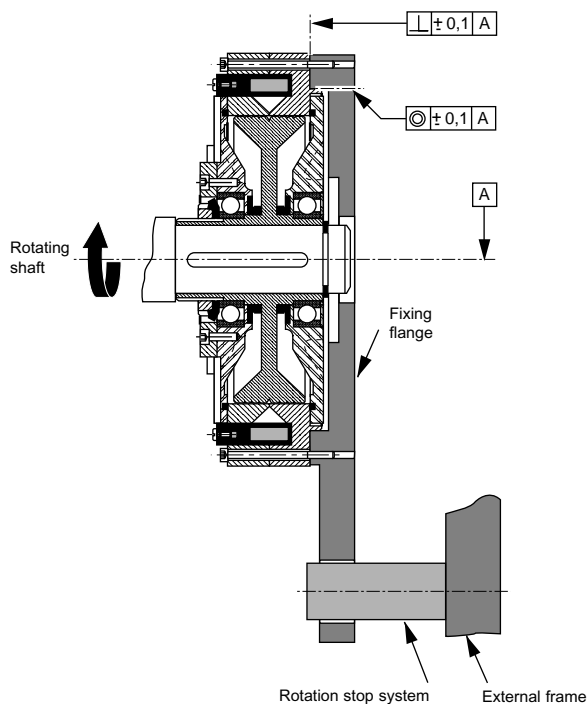
- Two procedures are available:
  - Full inhouse maintenance servicing:
 

<b>MEROBEL Inc.</b> after sales	Ph 732 493 3232
1705 Valley Road	Fax 732 493 2949
Wanamassa, NJ 07712	
  - Spare parts or repair kits (depending on maintenance level):
 

- Kit (powder, ball bearings, seals, felts)	ref: 330.200.71
- Coil	ref: 314.230.10
- Rotor	ref: 330.200.06
- In any case, our After Sales service is at your disposal.

## Recommended mounting principles

**In line mounting**



**Parallel mounting**

