

Brake

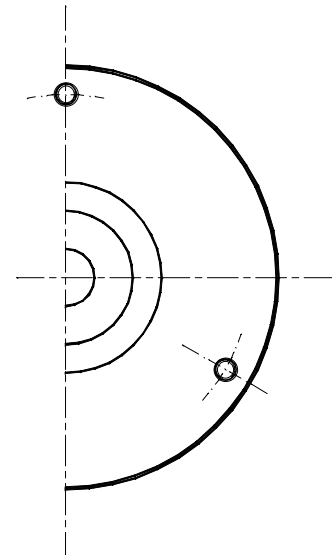
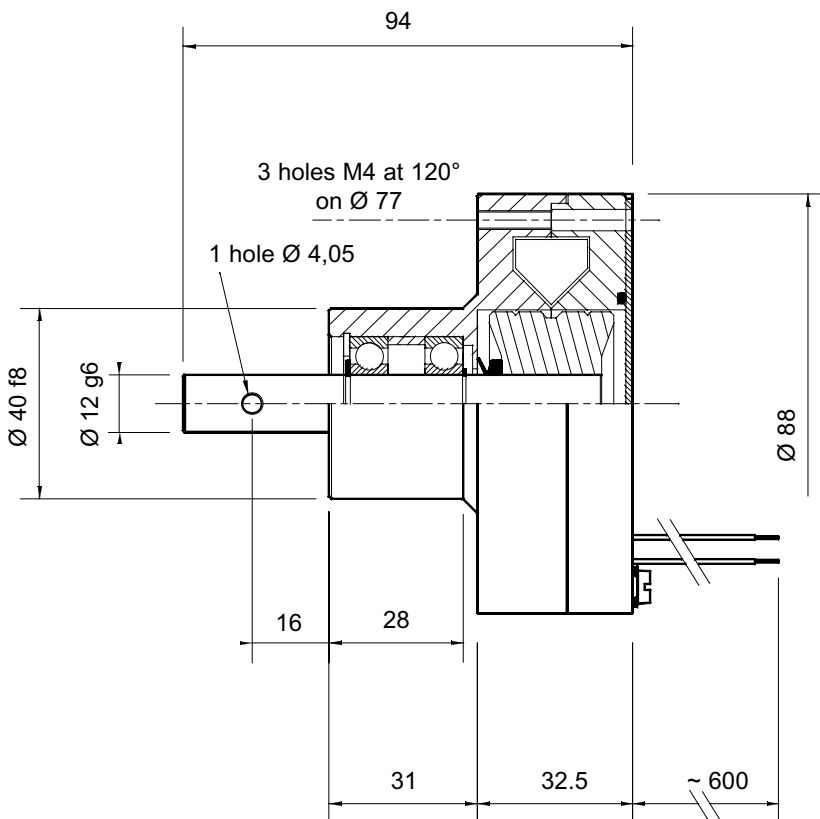
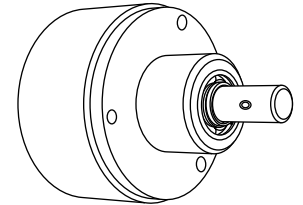
FAS 50

ref: 338 200 00

Specifications

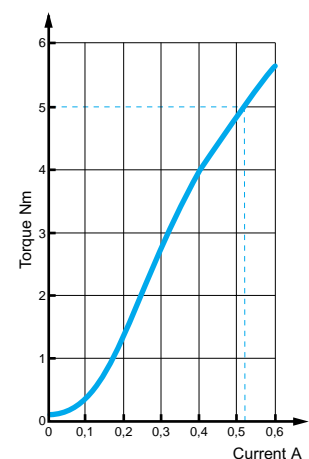
| | | | | |
|--|-----------------------|-------------------|--------------------------|-----------------------------|
| Nominal torque | 5 | N.m | <i>ft.lbf</i> | 4 |
| Minimal torque | 0.1 | N.m | <i>ft.lbf</i> | 0.07 |
| Coil resistance - 20°C | | | <i>W</i> | 24 |
| Rated current DC | | | <i>A</i> | 0.52 |
| Rotor inertia | 44.6.10 ⁻⁶ | kg.m ² | <i>lb.ft²</i> | 10.4 10⁻⁴ |
| Weight | 1.55 | kg | <i>lb</i> | 3.42 |
| Heat dissipation continuous sustained | | | <i>W *</i> | 50 |

* Heat dissipation is the mechanical power ($P = c_w$) maximum allowable.



Utilization

- Mounting must be made without any stress.
Lubricated for life (other internal lubrication not allowed).
- Low DC current power supply for coil.
(See MEROBEL Electronic data sheets)
- The standard device is designed for horizontal shaft orientation,
and a minimal speed of 60 RPM. Maximum speed is 3000 RPM
(without exceeding the max. heat dissipation capability).
- For Engineering application, please contact our technical support.
- In normal use, the outside temperature of the device can increase up to 100°C,
without damage.



Safety

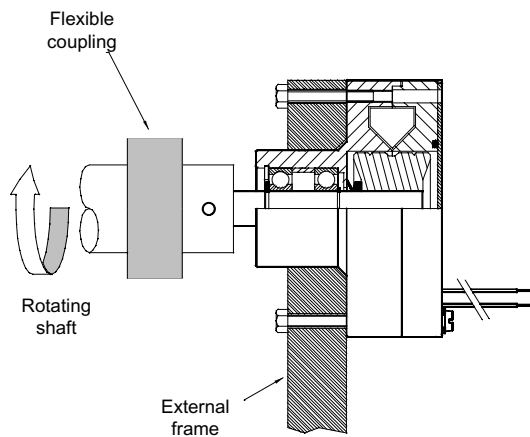
- If the device is to be used in dusty, humid or corrosive environment, special protection needs to be considered.

Maintenance

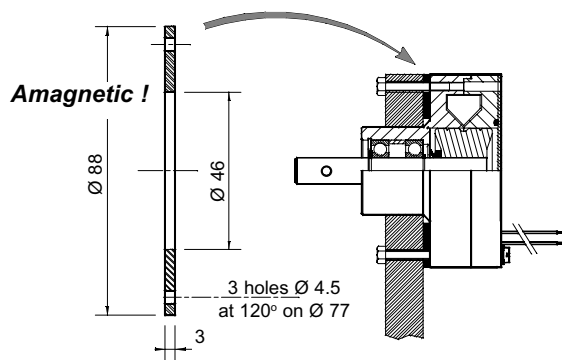
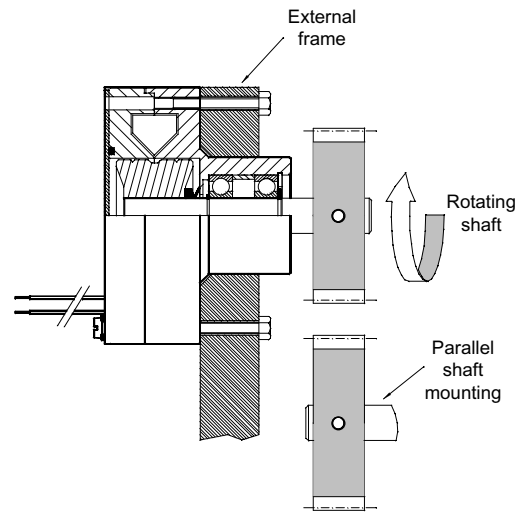
- Two procedures are available:
 - Full inhouse maintenance servicing:
 - MEROBEL Inc.** after sales
 - 1705 Valley Road
 - Wanamassa, NJ 07712
 - Ph 732 493 3232
 - Fax 732 493 2949
 - Spare parts or repair kits :
 - Kit (powder, ball bearings, seals, felts) ref: 338 298 00
 - In any case, our After Sales service is at your disposal.

Recommended mounting principles

In line mounting



Parallel mounting



Recommended mounting for replacement of previous version : 807 173 01