

Brake

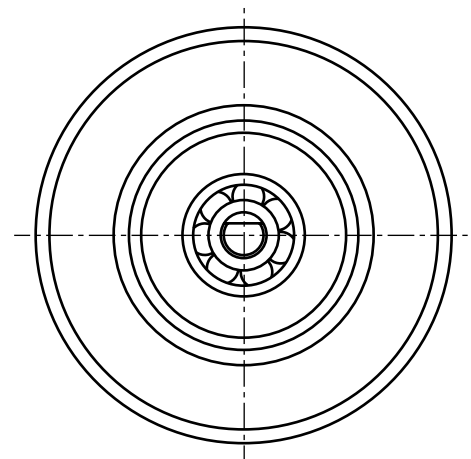
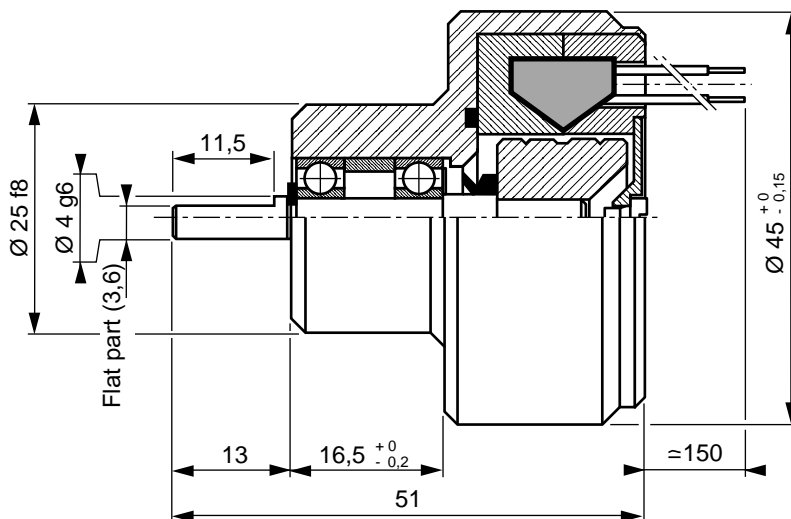
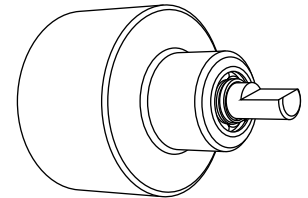
FAS 2 Ø4

ref: 806.412.02

Specifications

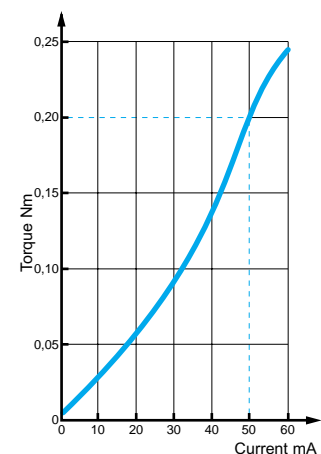
| | | | | |
|--|---------------------|-------------------|--------------------------|--|
| Nominal torque | 0.20 | N.m | <i>ft.lbf</i> | 0.15 |
| Minimal torque | 0,007 | N.m | <i>ft.lbf</i> | 0.005 |
| Coil resistance - 20°C | | | <i>W</i> | 195 |
| Rated current DC | | | <i>A</i> | 0,05 |
| Rotor inertia | $0,8 \cdot 10^{-6}$ | kg.m ² | <i>lb.ft²</i> | $18.6 \cdot 10^{-6}$ |
| Weight | 0,20 | kg | <i>lb</i> | 0.440 |
| Heat dissipation continuous sustained | | | <i>W *</i> | 15 |

* Heat dissipation is the mechanical power ($P = c_w$) maximum allowable.



Utilization

- Mounting must be made without any stress.
Lubricated for life (other internal lubrication not allowed).
- Low DC current power supply for coil.
(See MEROBEL Electronic data sheets)
- The standard device is designed for horizontal shaft orientation,
and a minimal speed of 60 RPM. Maximum speed is 3000 RPM
(without exceeding the max. heat dissipation capability).
- For Engineering application, please contact our technical support.
- In normal use, the outside temperature of the device can increase up to 100°C,
without damage.



Safety

- If the device is to be used in dusty, humid or corrosive environment, special protection needs to be considered.

Maintenance

- This device mechanical configuration forbids any dismantling.

Recommended mounting principles

