

Clutch

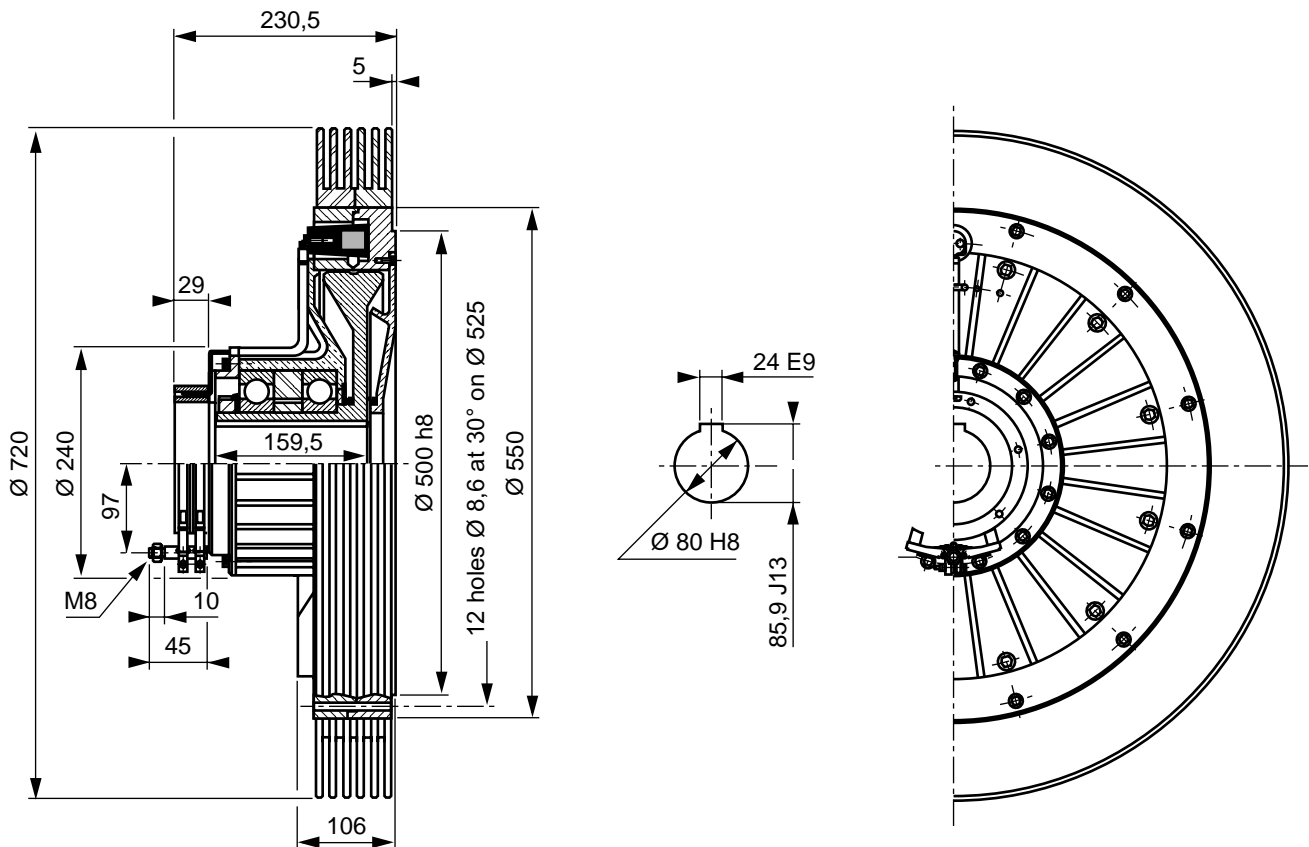
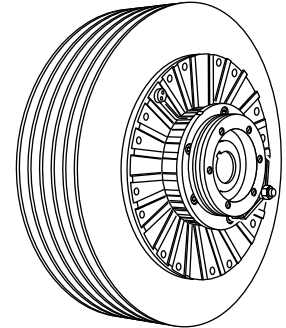
ERAT 10001

ref: 331.230.00

Specifications

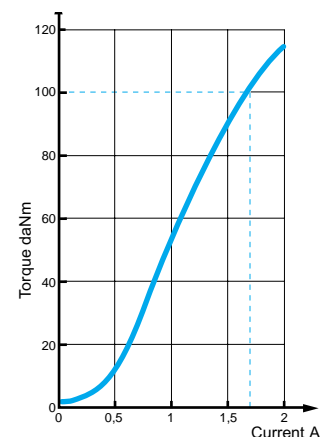
Nominal torque	1000	N.m	ft.lbf	752
Minimal torque	10	N.m	ft.lbf	7.52
Coil resistance - 20°C			W	20
Rated current DC			A	1.70
Rotor inertia	0.81	kg.m ²	lb.ft²	18.8
Weight	161	kg	lb	355
Heat dissipation continuous sustained depending on external part rotation speed	W *		4000	5400
	(RPM)		0	350

* Heat dissipation is the mechanical power ($P = cw$) maximum allowable.



Utilization

- Mounting must be made without any stress.
Lubricated for life (other internal lubrication not allowed).
The shaft should be lubricated upon assembly, to prevent seizing.
- Low DC current power supply for coil.
(See MEROBEL Electronic data sheets)
- The standard device is designed for horizontal shaft orientation,
and a minimal speed of 60 RPM. Maximum speed is 350 RPM
(without exceeding the max. heat dissipation capability).
- For Engineering application, please contact our technical support.
- In normal use, the outside temperature of the device can increase up to 100°C,
without damage.



Safety

- If the device is to be used in dusty, humid or corrosive environment, special protection needs to be considered.

Maintenance

- Two procedures are available:
 - Full inhouse maintenance servicing:

MEROBEL Inc. after sales 1705 Valley Road Wanamassa, NJ 07712	Ph : 732 493 3232 Fax: 732 493 2949
--	--
 - Spare parts or repair kits (depending on maintenance level):

<ul style="list-style-type: none"> - Kit (powder, ball bearings, seals, felts) - Coil - Rotor - Collector - Equipped brush holder - 10 brushes set 	<ul style="list-style-type: none"> ref: 314.500.72 ref: 331.200.14 ref: 331.200.06 ref: 314.210.40 ref: 314.310.60 ref: 314.310.62
--	--
- In any case, our After Sales service is at your disposal.

Recommended mounting principles

