

Clutch

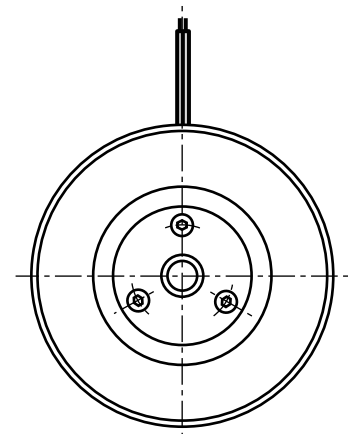
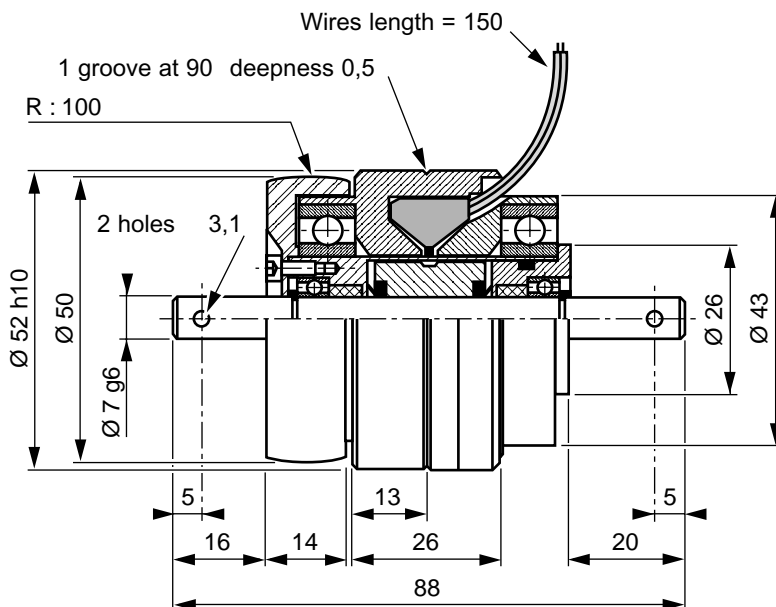
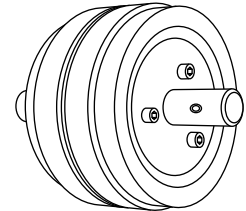
EFAS 10

ref: 323.500.00

Specifications

Nominal torque	1	N.m	Ft.lb.	0.7
Minimal torque	0,02	N.m	Ft.lb.	0.015
Coil resistance - 20 C			W	54
Rated current DC			A	0.48
Rotor inertia	$2.5 \cdot 10^{-6}$	kg.m ²	lb.ft²	$58 \cdot 10^{-4}$
Weight	0,60	kg	lb.	1.32
Heat dissipation continuous sustained			W *	20

* Heat dissipation is the mechanical power ($P = c_w$) maximum allowable.



Utilization

Mounting must be made without any stress.

Lubricated for life (other internal lubrication not allowed).

Low DC current power supply for coil.

(See MEROBEL Electronic data sheets)

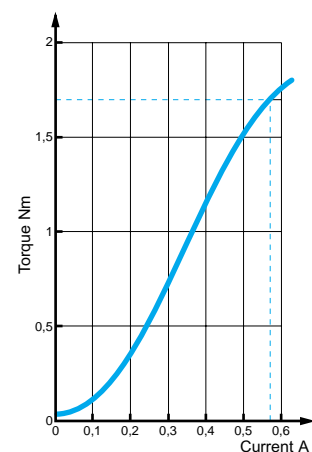
The standard device is designed for horizontal shaft orientation,

and a minimal speed of 60 RPM. Maximum speed is 3000 RPM

(without exceeding the max. heat dissipation capability).

For Engineering application, please contact our technical support.

In normal use, the outside temperature of the device can increase up to 100 C, without damage.



Safety

- If the device is to be used in dusty, humid or corrosive environment, special protection needs to be considered.

Maintenance

- Two procedures are available:

- Full inhouse maintenance servicing:

MEROBEL Inc. after sales
1705 valley Road
Wanamassa, NJ 07712

Ph 732 493 3232

Fax 732 493 2949

- Spare parts or repair kits (depending on maintenance level):

- Assembled drum

ref: 806.584.01

- Assembling inductor

ref: 806.071.03

- External ball bearings (x2)

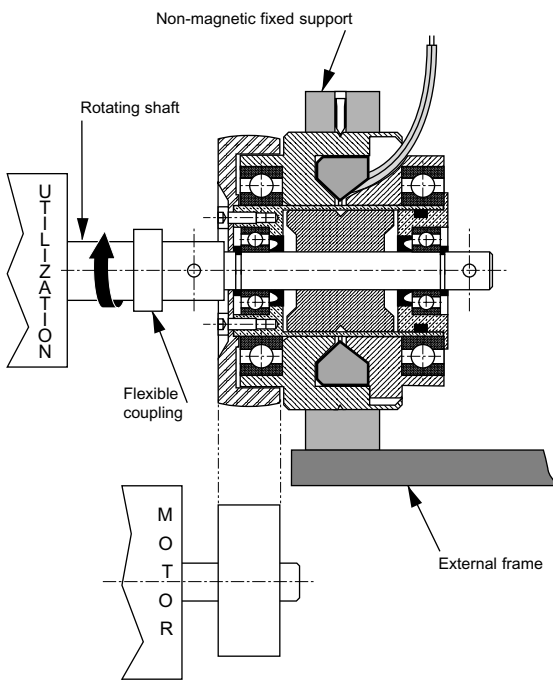
ref: 806.083.01

- Pulley washer play

ref: 807.098.01

- In any case, our After Sales service is at your disposal.

Recommended mounting principles



Washers are included for a play of 0.1 mm

