

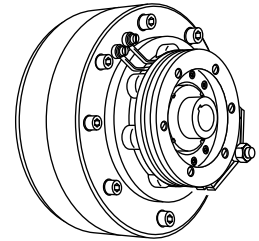
# Clutch

EAT 2002

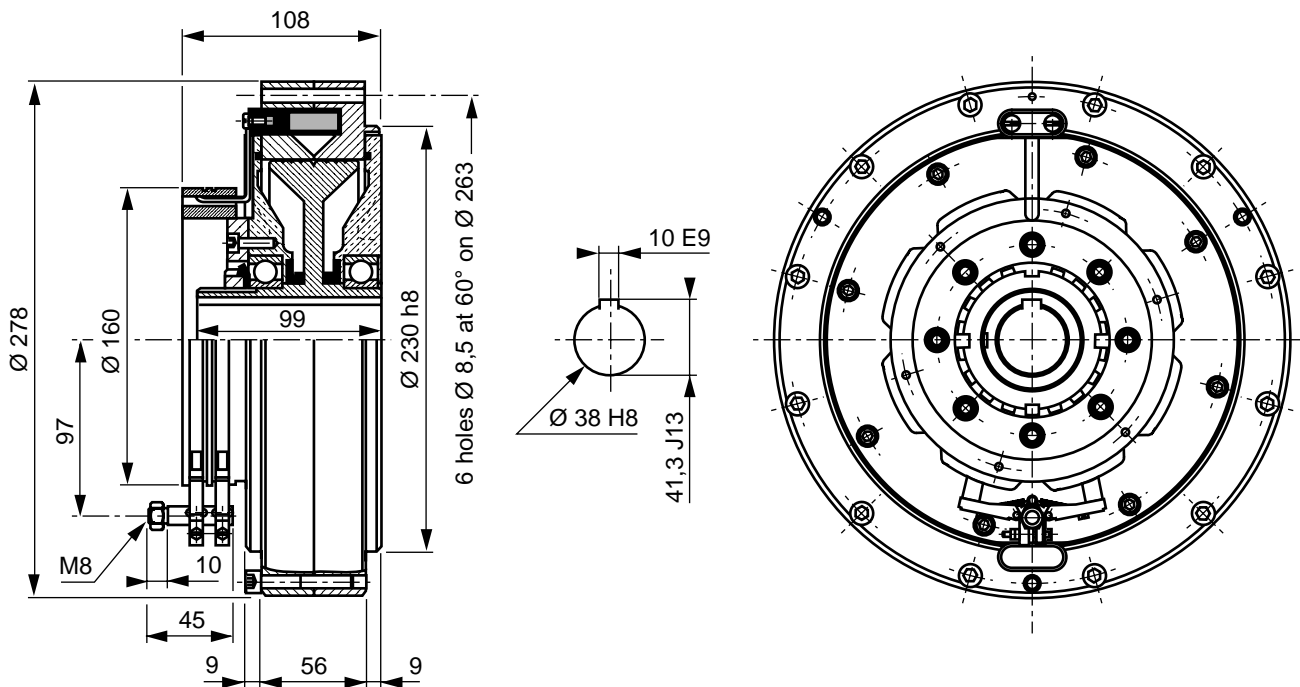
ref: 330.220.00

## Specifications

|  |                       |                   |                          |                            |
|--|-----------------------|-------------------|--------------------------|----------------------------|
| Nominal torque   | 200                   | N.m               | <i>ft.lbf</i>            | <b>150</b>                 |
| Minimal torque   | 2                     | N.m               | <i>ft.lbf</i>            | <b>1.5</b>                 |
| Coil resistance - 20°C   |                       |                   | <i>W</i>                 | <b>12</b>                  |
| Rated current DC   |                       |                   | <i>A</i>                 | <b>1.55</b>                |
| Rotor inertia  | 35.2.10 <sup>-3</sup> | kg.m <sup>2</sup> | <i>lb.ft<sup>2</sup></i> | <b>818.10<sup>-3</sup></b> |
| Weight   | 25                    | kg                | <i>lb</i>                | <b>55.12</b>               |
| Heat dissipation<br>continuous sustained<br>depending on external<br>part rotation speed | <i>W</i> *            | <b>400</b>        | <b>800</b>               | <b>1200</b>                |
|  | (RPM)                 | 0                 | 1000                     | 2000                       |

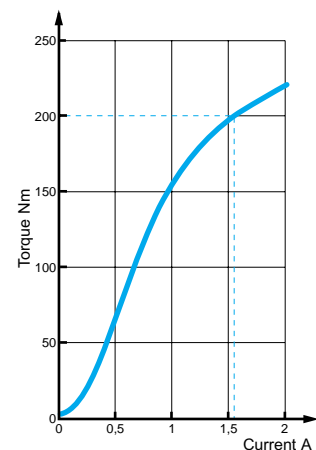


\* Heat dissipation is the mechanical power ( $P = cw$ ) maximum allowable.



## Utilization

- Mounting must be made without any stress.  
Lubricated for life (other internal lubrication not allowed).  
The shaft should be lubricated upon assembly, to prevent seizing.
- Low DC current power supply for coil.  
(See MEROBEL Electronic data sheets )
- The standard device is designed for horizontal shaft orientation,  
and a minimal speed of 60 RPM. Maximum speed is 2000 RPM  
(without exceeding the max. heat dissipation capability).
- For Engineering application, please contact our technical support.
- In normal use, the outside temperature of the device can increase up to 100°C,  
without damage.



## Safety

- If the device is to be used in dusty, humid or corrosive environment, special protection needs to be considered.

## Maintenance

- Two procedures are available:

- Full inhouse maintenance servicing:

**MEROBEL Inc.** after sales  
1705 Valley Road  
Wanamassa, NJ 07712

Ph 732 493 3232

Fax 732 493 2949

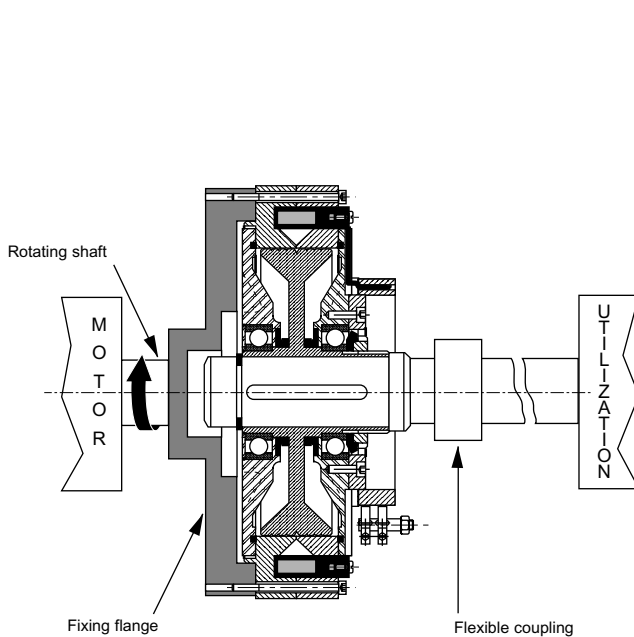
- Spare parts or repair kits (depending on maintenance level):

- Kit (powder, ball bearings, seals, felts) ref: 330.200.71
- Coil ref: 314.230.10
- Rotor ref: 330.200.06
- Collector ref: 314.210.40
- Equipped brush holder ref: 314.310.60
- 10 brushes set ref: 314.310.62

- In any case, our After Sales service is at your disposal.

## Recommended mounting principles

### In line mounting



### Parallel mounting

