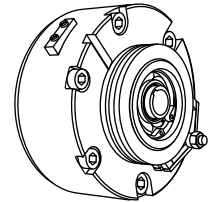


Clutch EAT 20

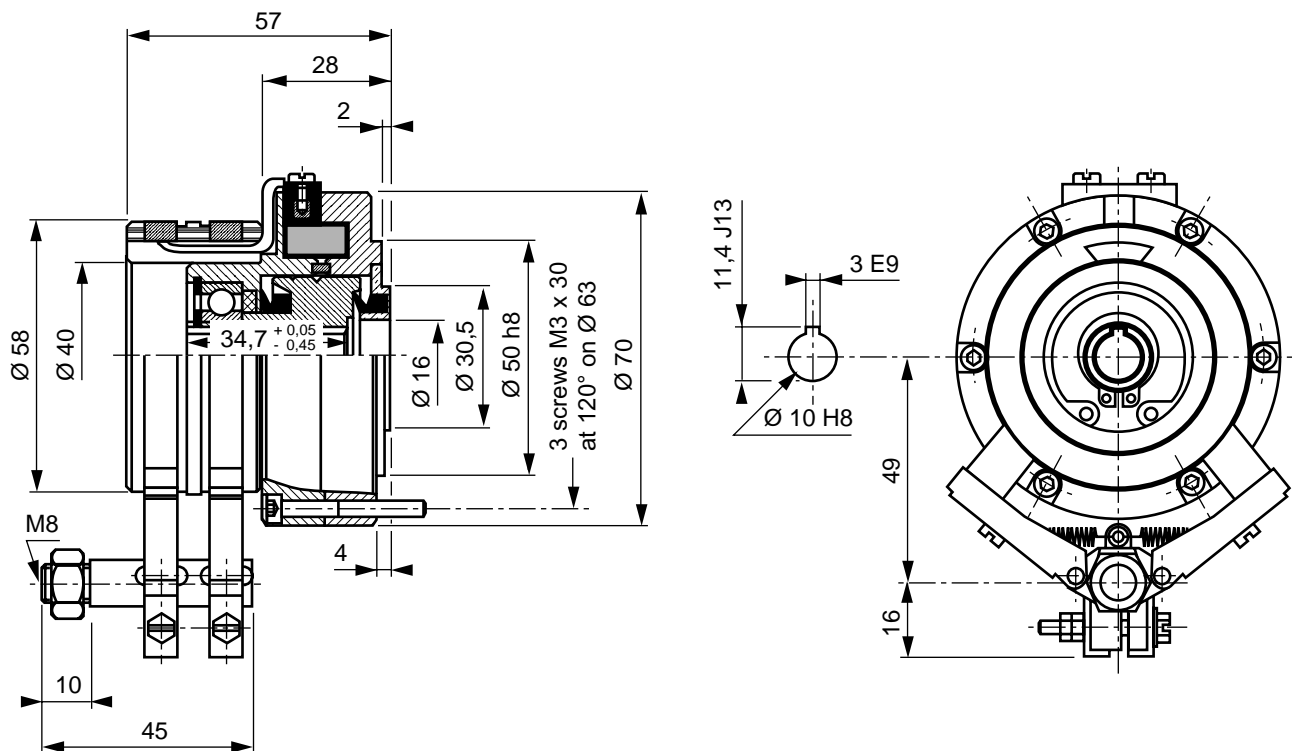
ref: 314.330.00

Specifications

Nominal torque	2	N.m	ft.lbf	1.5
Minimal torque	0.04	N.m	ft.lbf	0.03
Coil resistance - 20°C			W	24
Rated current DC			A	0.40
Rotor inertia	16.10 ⁻⁶	kg.m ²	lb.ft²	3.85 10⁻⁴
Weight	1	kg	lb	2.2
Heat dissipation continuous sustained depending on external part rotation speed	W *	40	95	125
	(RPM)	0	1000	2000

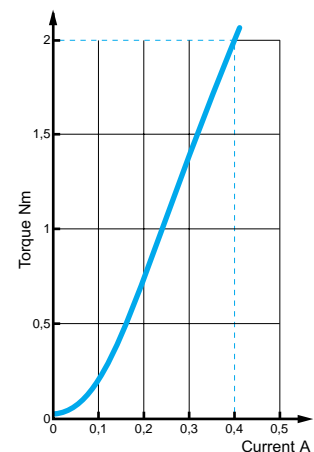


* Heat dissipation is the mechanical power ($P = c_w$) maximum allowable.



Utilization

- Mounting must be made without any stress.
Lubricated for life (other internal lubrication not allowed).
The shaft should be lubricated upon assembly, to prevent seizing.
- Low DC current power supply for coil.
(See MEROBEL Electronic data sheets)
- The standard device is designed for horizontal shaft orientation,
and a minimal speed of 60 RPM. Maximum speed is 3000 RPM
(without exceeding the max. heat dissipation capability).
- For Engineering application, please contact our technical support.
- In normal use, the outside temperature of the device can increase up to 100°C,
without damage.



Safety

- If the device is to be used in dusty, humid or corrosive environment, special protection needs to be considered.

Maintenance

- Two procedures are available:

- Full inhouse maintenance servicing:

MEROBEL Inc. after sales
1705 Valley Road
Wanamassa, NJ 07712

Ph 732 493 3232

Fax 732 493 2949

- Spare parts or repair kits (depending on maintenance level)

- Kit (powder, ball bearings, seals, felts) ref: 314.300.71

- Coil ref: 314.320.06

- Rotor ref: 314.300.03

- Collector ref: 314.310.40

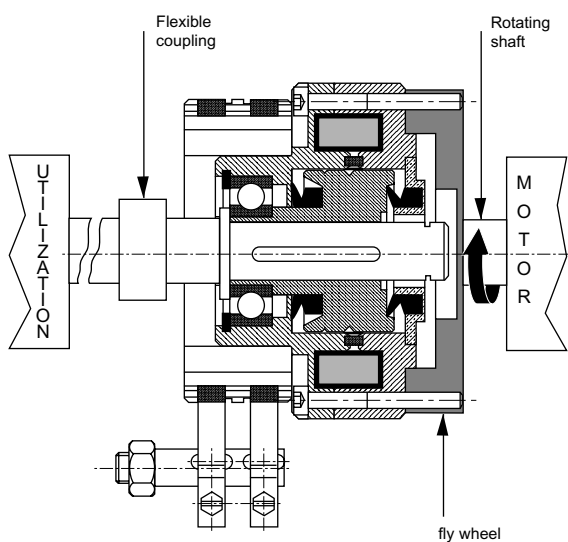
- Equipped brush holder ref: 314.310.60

- 10 brushes set ref: 314.310.62

- In any case, our After Sales service is at your disposal.

Recommended mounting principles

In line mounting



Parallel mounting

